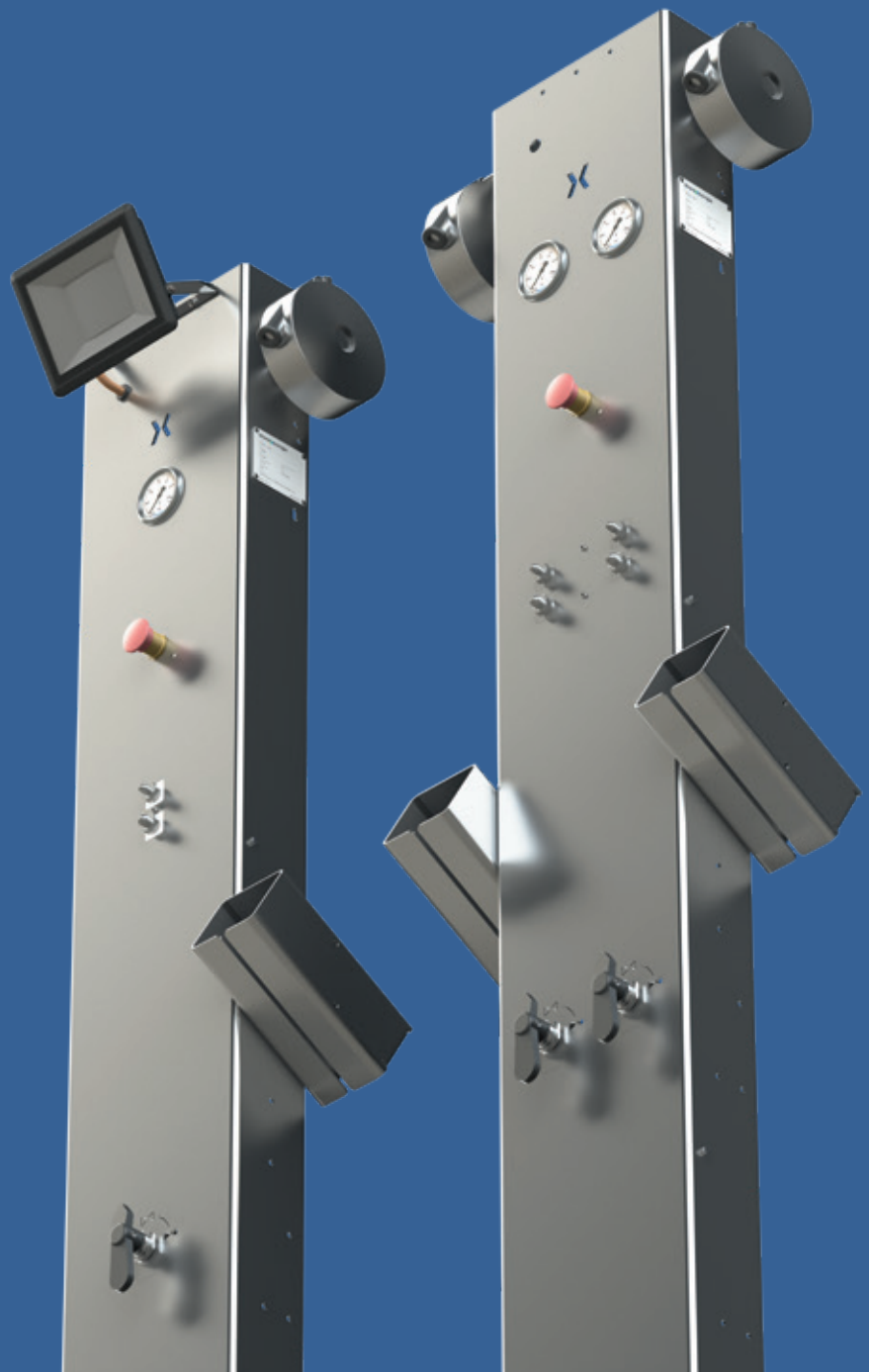
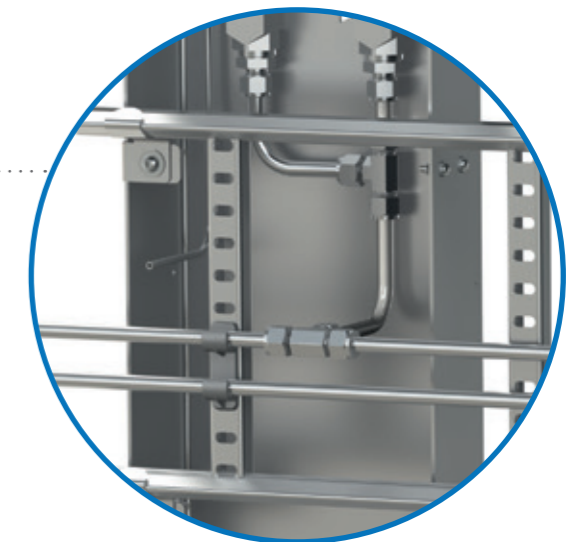


# Product Catalogue



# Table of content

Welcome to Sherex by regaco .....	5
European Service Center .....	6-7
SHERPOST .....	8-9
SHERBEAM .....	12-13
SHERWALL .....	16-17
SHERFLAK .....	18-19
SHERHOSES .....	20-21
SHERMOUNT piping system .....	22-23
SHERCLICK mounting system .....	24-25
Product list .....	26-27





## Welcome to Sherex by regaco

**Sherex grants you fast and reliable deliveries of CBG refueling components and services.**

This has been our vision since the foundation of Sherex back in 1994. Today, we are proud of being one of Europe's leading suppliers of CBG equipment for refueling plants – where cars, buses, and trucks are refueled with biogas or natural gas.

Our office and workshops are situated close to Copenhagen in Denmark. From our facilities here, we deliver service and products to our customers across Europe and Asia.

Through the years we have developed an unmatched know-how ensuring our customers both top quality and the fastest delivery time in the market:

- Sherex complete hose sets ready for use, delivered within 24 hours
- Ultra-quick repair times for filling equipment such as nozzles, break-away couplings and hose sets
- Always well-stocked for emergency supplies

Our European Service Center has all the expertise in-house, all the equipment – and more than 15 years of experience.

The Sherex product range is designed by the Danish designer Rune Balle.

Please, feel free to contact us for more information.

**Sherex by regaco a/s**

+45 33 22 45 02

info@regaco.eu

www.regaco.eu / www.sherex.dk





# European Service Center

## Sherex European Service Center

At our certified service center in Copenhagen, Denmark, we have the necessary expertise and equipment to perform service and refurbishment on most CBG equipment.

We specialize in refurbishing all OPW filling equipment and Stäubli BRW.08 breakaways.

All equipment is thoroughly inspected, and damaged parts are replaced. Each item is pressure-tested, leak-tested, and quality assured before leaving our service center.

## Exchange programme for immediate delivery

We offer an exchange program for the refurbishment of CT1000LS, CT5000S, and breakaways. Once we receive your component, we immediately send a refurbished one in return. The received component is added to our exchange stock. Shipment occurs the same day we receive your component.

### TYPICAL REFURBISHMENT PERIOD

OPW equipment:	max 10 working days
Stäubli BRW.08:	max 10 working days
Exchange programme	max 1 working day



# SHERPOST heavy-duty filling post

The SHERPOST filling posts are built for mounting directly on a small concrete slab. SHERPOST is dimensioned for slow filling of vehicles and consists of stainless steel and corrosion-resistant materials. SHERPOST filling posts are suited for the SHERMOUNT piping system and come with a shut-off-valve, ensuring that hoses can easily be changed or serviced without having to shut down the entire filling station. There is a pressure indicator on the SHERPOST

for each filling hose. SHERPOSTS require minimal civil works and are quickly installed hence lowering total project costs.

Delivered excl. hoses. See page 20-21 for hose options.



**SINGLE DISPENSER:**  
SHERPOST-1-NGV1

**DOUBLE DISPENSER:**  
SHERPOST-2-NGV1

**SINGLE DISPENSER:**  
SHERPOST-1-NGV2

**DOUBLE DISPENSER:**  
SHERPOST-2-NGV2

**DOUBLE DISPENSER:**  
SHERPOST-2-NGV1 & NGV2

**OPTIONAL:**  
**LED LIGHTING INCL.**  
**MOVEMENT SENSORS**  
**AND EMERGENCY STOP:**  
SHERSCREEN-LIGHT  
SHERPOST-STOP



T: 28000  
L: 5800  
Stødept: 33  
Skjpl: 41  
2518

2518

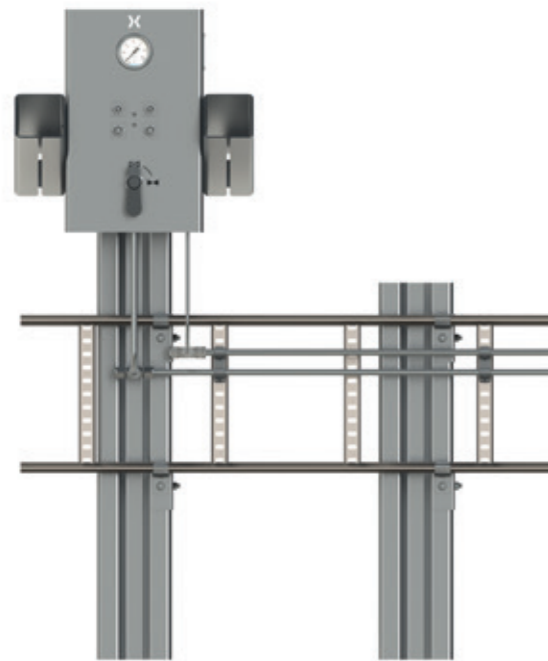
FORBUDT

# SHERBEAM for wall-hanging or rammed posts

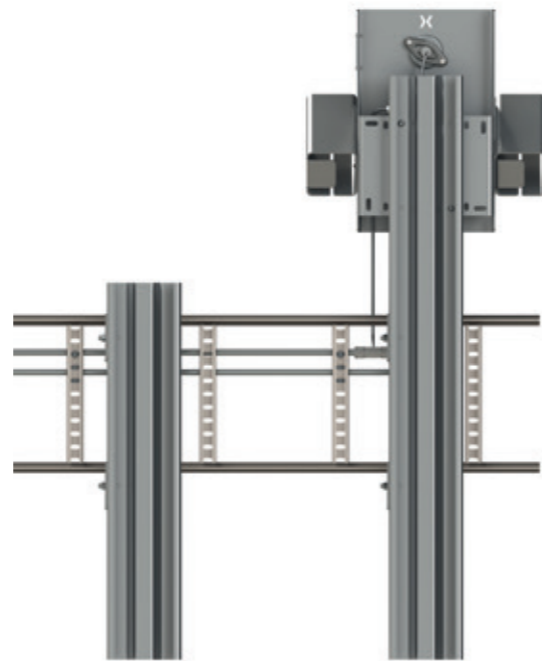
The SHERBEAM filling posts can either be wall-hung or mounted on rammed posts (not included in supply). SHERBEAM is dimensioned for slow filling of vehicles and consists of stainless steel and corrosion-resistant materials. SHERBEAM filling posts are suited for the SHERMOUNT piping system and comes with a shut-off-valve, ensuring that hoses can easily be changed or serviced without having to shut down the entire filling station. There is one pressure indicator on each SHERBEAM.

SHERBEAMs require minimal civil works and are quickly installed hence lowering total project costs.

Delivered excl. hoses. See page 20-21 for hose options.



SHERBEAM-2 on a rammed post – from the front



SHERBEAM-2 on a rammed post – from the back



**DOUBLE DISPENSER:**  
SHERBEAM-2-NGV1



**DOUBLE DISPENSER:**  
SHERBEAM-2-NGV2



**DOUBLE DISPENSER:**  
SHERBEAM-2-NGV1 & NGV2



1563

1567

1565

CNG



# SHERWALL heavy-duty filling panel for wall mounting

The SHERWALL filling posts can either be wall-hung or mounted on rammed posts (not included in supply). SHERWALL is dimensioned for slow filling of vehicles and consists of stainless steel and corrosion-resistant materials. SHERWALL filling posts are suited for the SHERMOUNT piping system and comes with a shut-off-valve, ensuring that hoses can easily be changed or serviced without having to shut down the entire filling station. There is a pressure indicator for each filling hose on the SHERWALL.

Delivered excl. hoses. See page 20-21 for hose options.



**SINGLE DISPENSER:**  
SHERWALL-1-NGV1



**SINGLE DISPENSER:**  
SHERWALL-1-NGV2



**DOUBLE DISPENSER:**  
SHERWALL-2-NGV1



**DOUBLE DISPENSER:**  
SHERWALL-2-NGV2



**DOUBLE DISPENSER:**  
SHERWALL-2-NGV1 & NGV2

# SHERFLAK wall mounted panel

– For discharging CBG trailers

The SHERFLAK is a wall-mounted panel specifically designed for discharging CBG containers and trailers. SHERFLAKs ensure optimal discharge of trailers, with fittings and piping designed not to restrict the system. Each SHERFLAK comes equipped with shut-off valves and a pressure indicator. SHERFLAKs are suitable for integration with our SHERMOUNT piping system. Depending on the containers, the SHERFLAKs can feature either NGV1 or NGV2 connections.



**NGV1 CONNECTIONS:**  
SHERFLAK-1-NGV1



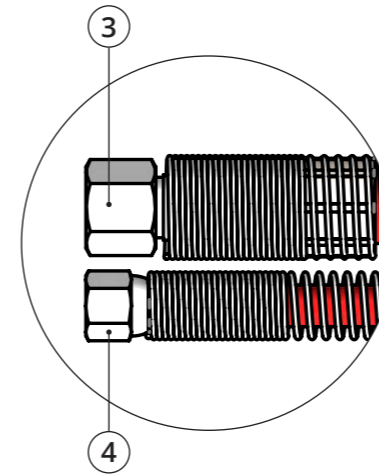
**NGV2 CONNECTIONS:**  
SHERFLAK-NGV2

# SHERHOSES

SHERHOSES are complete hose assemblies made according to our customers' specifications. These high-pressure hoses are suitable for CBG refueling applications and feature a conductive inner tube to dissipate static electricity buildup. They have an extra tough cover for abrasion, water, and microbiological resistance. The nonmetallic, lightweight design ensures easy handling and manipulation, while the rugged construction provides resistance to kinking, crushing, twisting, and pulling. Other colors are available upon request.

SHERHOSES come with certificates and are fully tested and ready to use.

Specific requests for hose sizes (1/2" hoses available), breakaway types, and filling nozzles can be accommodated upon request.



## STANDARD DIMENSIONS

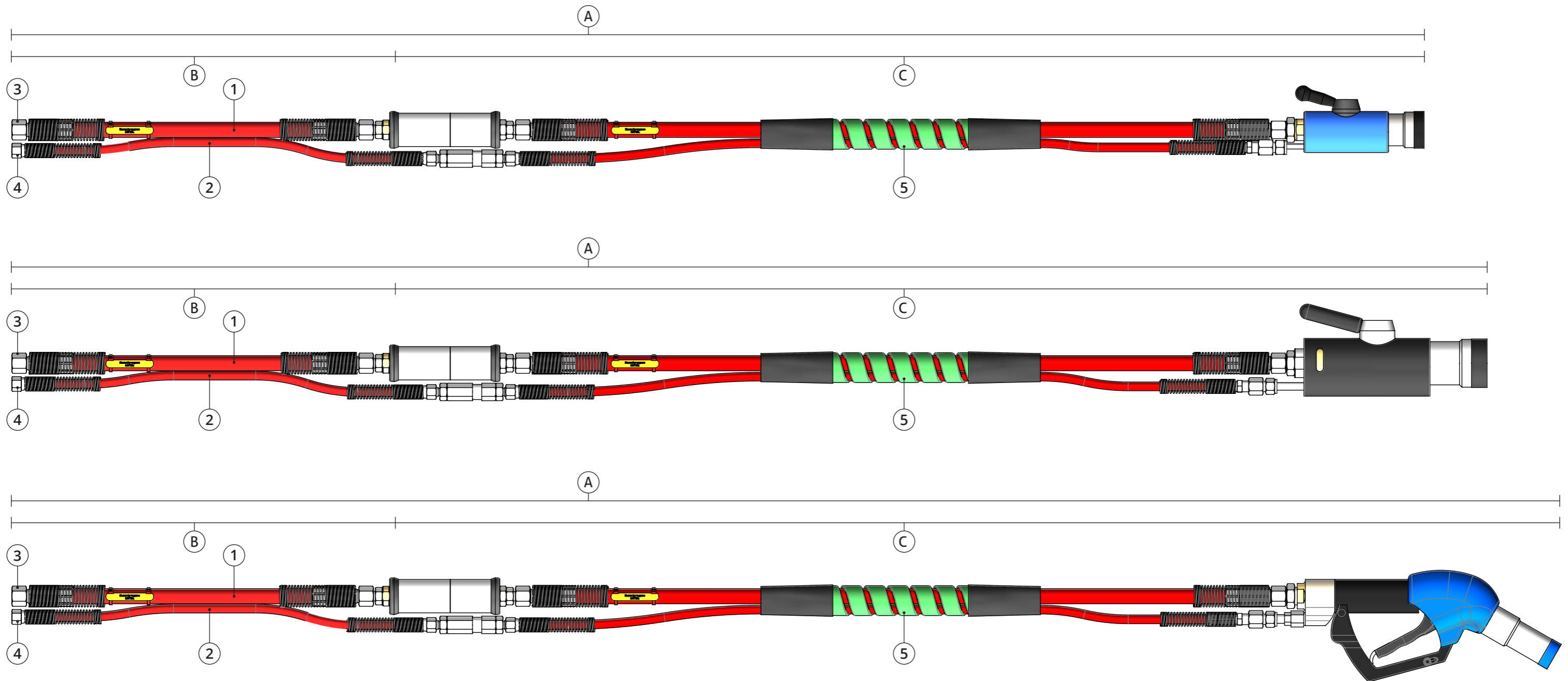
A	5000 / 6000 / 7000 mm
B	1000 mm
C	4000 / 5000 / 6000 mm

## DESCRIPTIONS

1	3/8" main filling hose
2	1/4" vent hose
3	9/16 F-JIC VHP C 3/8
4	7/16 F-JIC VHP C 1/4
5	Spiral protection sleeve

## STANDARD DELIVERY TIMES

Standard hose lengths:	10 working days
Customized hose length:	20 working days



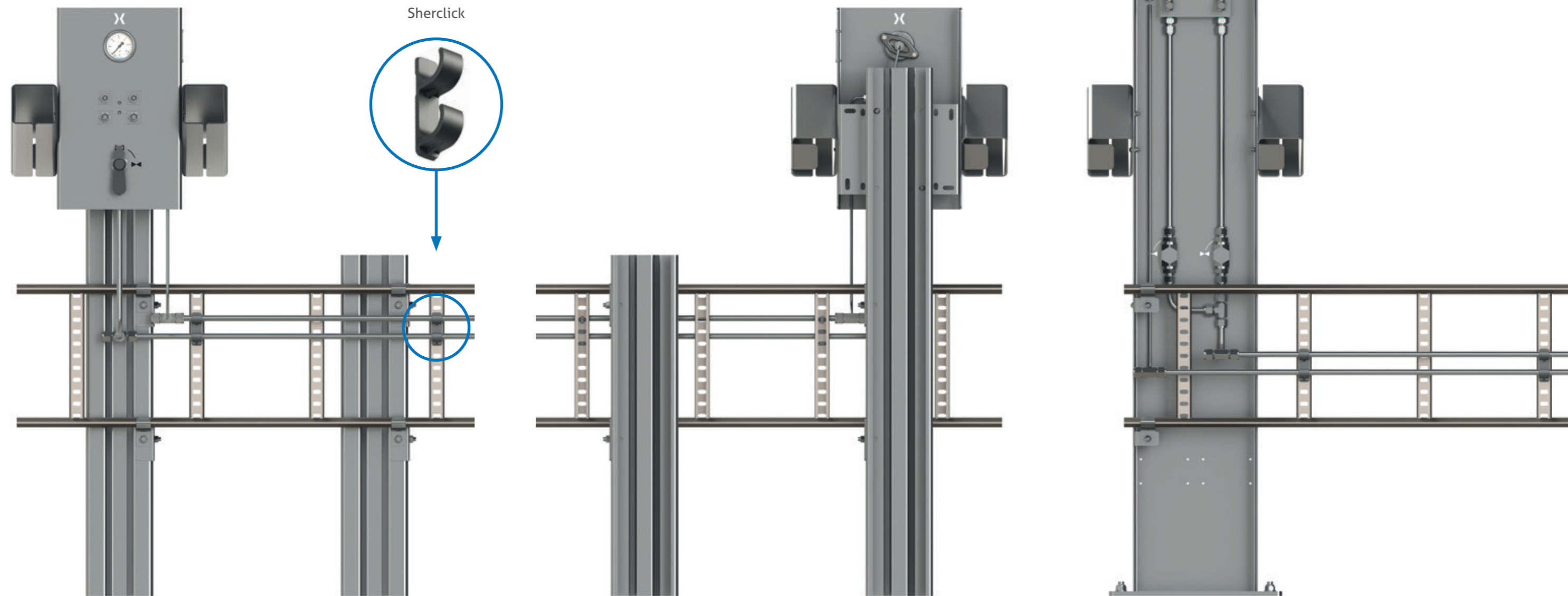
# SHERMOUNT piping system

The SHERMOUNT piping system is made for easy mounting and assembling of CBG filling ramps with SHERFILL filling posts.

The system utilizes cable ladders and our SHERCLICK mounting system to hold pipes in place, making it nearly screw-free.

Based on our experience with installing and commissioning filling ramps across Europe, it is possible to save up to 50% of mounting and installation time on-site, thereby reducing costs.

See page 24-25 for SHERCLICK mounting system.





# SHERCLICK Mounting system

The SHERCLICK mounting system is specifically designed for easy and trouble-free mounting of seamless stainless-steel pipes on the SHERMOUNT cable ladders.

SHERCLICK eliminates the need for screwing and welding of pipes on site.

## SHERCLICK

Double 12 mm: SHERCLICK-1212

## SHERCLICK

Mixed 12 mm and 16 mm: SHERCLICK-1216

## SHERCLICK

Double 16 mm: SHERCLICK-1616

## SHERCLICK

Double 25 mm: SHERCLICK-2525





# Product list

PRODUCT #	PRODUCT DESCRIPTION
<b>SHERPOST</b>	
SHERPOST-1 NGV1	Single filling dispenser incl. NGV1 hose set
SHERPOST-1 NGV2	Single filling dispenser incl. NGV2 hose set
SHERPOST-2 NGV1	Double filling filling dispenser incl. NGV1 hose sets
SHERPOST-2 NGV2	Double filling filling dispenser incl. NGV2 hose sets
SHERPOST-2 NGV1 + NGV2	Double filling filling dispenser incl. NGV1 + NGV2 hoses
<b>SHERBEAM</b>	
SHERBEAM-2 NGV1	Double filling dispenser incl. NGV1 hose set. For wall mounting or rammed post
SHERBEAM-2 NGV2	Double filling dispenser incl. NGV2 hose set. For wall mounting or rammed post
SHERBEAM-2 NGV1 + NGV2	Double filling dispenser incl. NGV1 + NGV2 hoses. For wall mounting or rammed post
<b>SHERWALL</b>	
SHERWALL-2 NGV1	Double filling dispenser incl. NGV1 hose set. For wall mounting or rammed post
SHERWALL-2 NGV2	Double filling dispenser incl. NGV2 hose set. For wall mounting or rammed post
SHERWALL-2 NGV1+NGV2	Double filling filling dispenser incl. NGV1 + NGV2 hoses. For wall mounting or rammed post
<b>SHERFLAK</b>	
SHERFLAK-1 NGV1	Wall mounted panel NGV1, for emptying trailers
SHERFLAK- NGV2	Wall mounted panel NGV2, for emptying trailers
<b>SHERHOSES</b>	
SH-1038-304	3/8" + 1/4" twinhose NGV1 hose set incl. CT1000LS, NGVLB and Stäubli BRW.08
SH-1038-324	3/8" + 1/4" twinhose NGV1 hose set incl. CT1000LS, NGVLB and FLB-1000
SH-1012-304	1/2" + 1/4" twinhose NGV1 hose set incl. CT1000LS, NGVLB and Stäubli BRW.08
SH-1012-324	1/2" + 1/4" twinhose NGV1 hose set incl. CT1000LS, NGVLB and FLB-1000
SH-5038-304	3/8" + 1/4" twinhose NGV2 hose set incl. CT5000S, NGVLB and Stäubli BRW.08
SH-5038-334	3/8" + 1/4" twinhose NGV2 hose set incl. CT5000S, NGVLB and FLB-5000
SH-5012-304	1/2" + 1/4" twinhose NGV2 hose set incl. CT5000S, NGVLB and Stäubli BRW.08
SH-5012-334	1/2" + 1/4" twinhose NGV2 hose set incl. CT5000S, NGVLB and FLB-5000
<b>CUSTOMIZED SHERHOSES</b>	
	Custom and single hoses available upon request.
	Standard length 5000 / 6000 / 7000 mm.
	Customized: Choose dimensions A, B or C.
<b>SHERCLICK</b>	
20200183	SHERCLICK 12 + 12 mm
20200184	SHERCLICK 12 + 16 mm
20200185	SHERCLICK 16 + 16 mm
20200186	SHERCLICK 25 + 25 mm



Follow Sherex by regaco  
on LinkedIn

Responsible printing



5041 0826



This is a carbon neutral  
printed product

**Sherex by regaco**

+45 33 22 45 02

info@regaco.eu

www.sherex.dk / www.regaco.eu